



Aircom™ End Node

Aircom™ is a self-contained, battery-powered LoRaWAN™ device capable of collating data from various instruments. It acts as a datalogger or RTU for monitoring applications. With its powerful ARM processor, it is capable of custom control configurations for specific applications. It has been designed for hazardous environments and transmits data to any Command Centre globally. It's easy to install and configure with its Mobile Bluetooth App and can be left to operate without the need for human intervention for years.

Key Features:

- Wide range of I/O – Analog, Digital and Serial
- Secure Data (AES 128)
- Up to 10-year battery life – application dependent
- IP 68 enclosure
- Powers instruments with 10-16VDC
- Up to 10+ mile range – installation and topography dependent
- External power option
- ATEX Zone 0 IIC and Class I, Div I Groups A-D T4
- Configure via the Aircom mobile app on iOS or Android
- Integrated I.S. barriers for each channel



General	
Material	ABS
Aircom Weight	1.14kg
Battery Weight	0.19kg
Aircom Dimensions H x W x D (mm)	467 x 120 x 75
Battery Dimensions H x D (mm)	83 x 51
Ingress Protection	IP68, NEMA 4X
Permissible ambient temperatures	-20°C to 60°C / -4°F to 140°F
Approvals / Certification	
ATEX	II 1G Ex ia IIC T4 Ga (-20 ≤ Ta ≤ +60°C)
US Hazardous Area	Class I Div I Grps A-D, T4 & Class I Zone 0 AEx ia IIC T4 Ga (-20 ≤ Ta ≤ +60°C)
Canada Hazardous Area	Ex ia IIC T4 Ga (-20 ≤ Ta ≤ +60°C)
Directives	EN IEC 60079-0: 2018, EN 60079-11: 2012, ISA/UL 60079-0, ISA/UL60079-11, CSA-C22.2 No ISA/UL 60079-0, CSA-C22.2 No ISA/UL60079-11, UL 61010-1, UL 61010-2-201, CAN/CSA C22.2 No. UL 61010-1, CAN/CSA C22.2 UL 61010-2-201

Power	
Battery	3.6V, 19Ah, Lithium Thionyl Chloride
Auxiliary Power	7-23VDC, 2.1W Max
Communications	
LoRaWAN EU	868-870MHz
LoRaWAN US	902-928MHz
LoRaWAN AS	915-928MHz
LoRaWAN ASI	920-923MHz
LoRaWAN AS2	923-925MHz
Inputs / Outputs	
x2 or x5 Analogue Channels	x2 HART, x2 or x5 4-20mA Passive , x2 4-20mA Active, x2 -10-10V, x2 PT100 3-Wire, x2 PT100 4-Wire, x2 PT1000, x2 Ohms, x2 POT, x2 mV
x4 Digital Input Channels	x4 Volt-Free, x2 Voltage input, x2 PRX NAMUR, x2 Counter
x2 or x5 Digital Outputs	x2 or x5 20mA @ 16.4VDC
x2 Serial Comms Channels	RS485



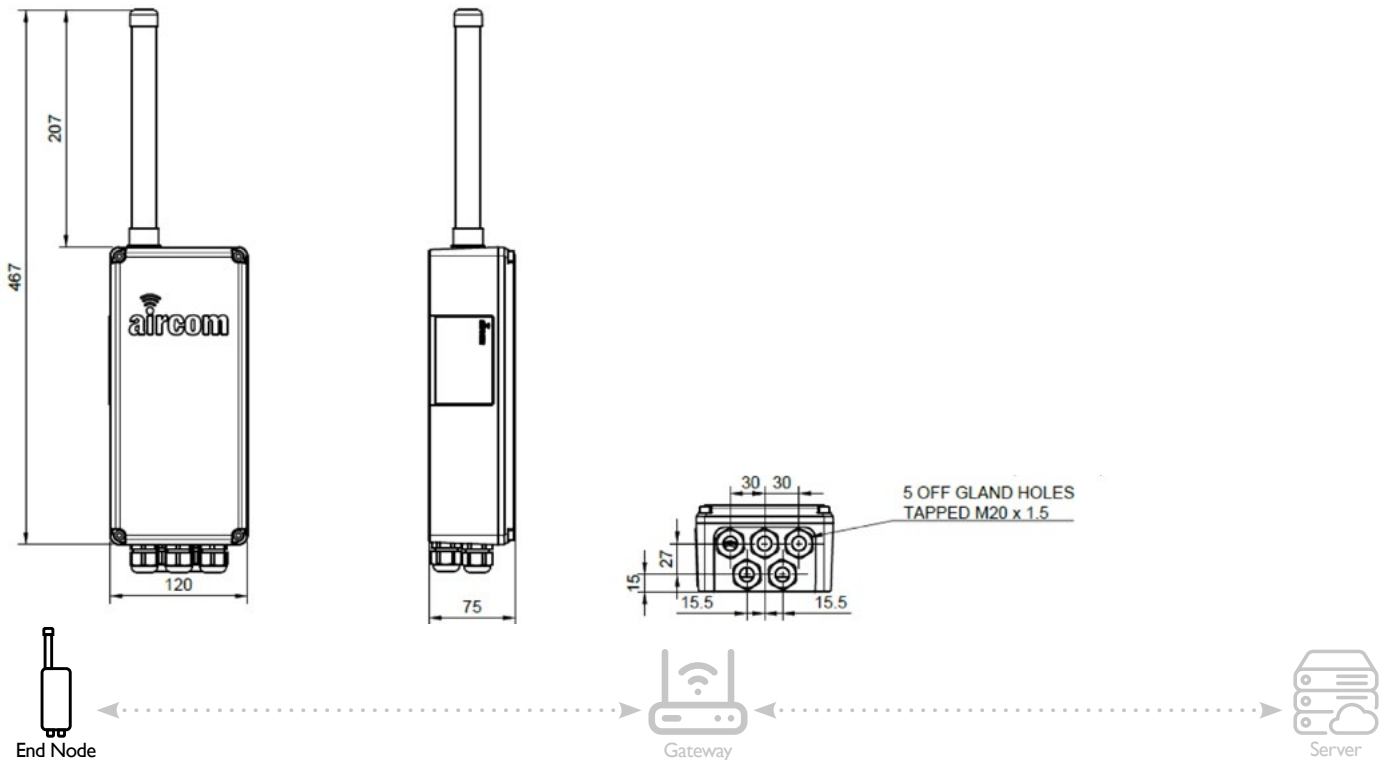


Aircom™ End Node

Part Code Builder

Example Code	WTP03	-	Ex	-	LD485	-	EU868	-	S
Product Code	Aircom End Node								
	WTP03								
Hazardous Area Certification									
Safe Area Only	00								
Hazardous Area	Ex								
Inputs & Outputs - See Power & I/O Options Table									
x3 AI, x2 DO, x2 DI	LD000								
x2 AI / DO, x4 DI, x2 Serial	AD485								
x5 AI / DO, x4 DI, x2 Serial	HD485								
Communications									
LoRaWAN EU868-870MHz	EU868								
LoRaWAN US902-928MHz	US915								
LoRaWAN AU915-928MHz	AU915								
LoRaWAN AS920-923MHz	AS1								
LoRaWAN AS923-925MHz	AS2								
Antenna									
Standard External Fixed	S								
Internally mounted	I								
Without Antenna	0								

Dimensions









Aircom™ End Node

Power and I/O Options			
Options	LD000	AD485	HD485
12-23VDC Auxiliary Power Input	-	☑	☑
3.6V, 19.Ah Lithium Thionyl Chloride Replaceable Battery	☑	☑	☑
Digital Inputs	Max 2*	Max 4*	Max 4*
0-24VDC Voltage Inputs	-	x2	x2
Proximity Switch, NAMUR Type	-	x2	x2
Volt-Free or Pulse Inputs	x2	x2	x2
Volt-Free Inputs	-	x2	x2
Digital Outputs	Max 2*	Max 2*	Max 5*
20mA @ 16.4VDC Digital Outputs	x2	x2	x5
Analogue Inputs	Max 3*	Max 2*	Max 5*
4-20mA Passive	x2	x2	x5
Hart®	x2	x2	x2
4-20mA Active	-	x2	x2
-10-10V Input	-	x2	x2
PT100 3/4 Wire or PT1000	x1	x2	x2
Thermocouple Type J or K	-	x2	x2
0-10k Resistance or Potentiometer Inputs	-	x2	x2
0-1.5V mV Inputs	-	x2	x2
Serial Options	-	Max 2*	Max 2*
RS485	-	x2	x2

*Note: There is a maximum number of I/O that can be utilised for each variant. Example: AD485 has Max x2 Analogue Channels. Only 2 of the available analogue inputs can be used at one time such as x1 4-20mA and x1 PT100 at once or any other combination of two of the available input options.

Accessories

Code	Description	
ZC-0003	Battery-ATEX	
ZC-0006	Wall Mount, includes: x2 304SS wall brackets x8 304SS thread forming screws	
ZC-0005	Post Mount, includes: x2 304SS post brackets x4 304SS M6 machine screws & nyloc nuts x2 304SS jubilee clips x8 304SS thread forming screws	
ZC-0009	Aircom Limiting Resistor	



WTP03-DS-001_v1.3